

WR PATENT NEWS # 2007-36

PATENTS

US409917 CAMERON 1889 PLUMB BOB

US331144 LAWLER 1885 PLUMB BOB FOR GAS FITTINGS

US4947556 PEIL 1990 PLUMBERS'S LEVEL

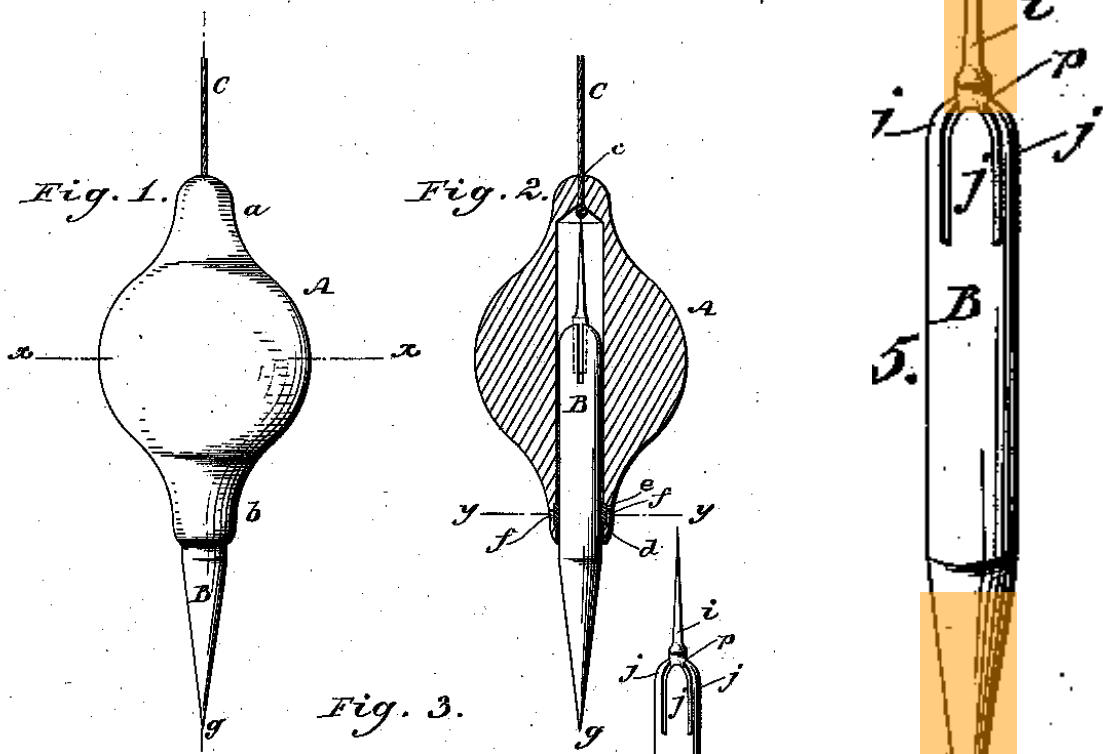
THEME: diverse plumb bobs: adjustable point; gas fitting plumb bob

(No Model.)

J. M. CAMERON.
PLUMB BOB.

No. 409,917.

Patented Aug. 27, 1889.



My invention consists in the combination, with an axially-bored plumb-bob, of a point inserted in the bore of the plumb-bob and adapted to be extended or withdrawn.

25 The invention also consists in the combination, with the adjustable point, of a clamp for holding a needle-point and a needle fitted thereto, all as hereinafter more fully described.

PATENT NEWS especially for PLUMB BOB COLLECTORS

A special plumb bob that I know only from the patent and advertise is the LAWLER 1885.

(No Model.)

J. J. LAWLER.
PLUMB BOB FOR GAS FITTINGS.

No. 331,144.

Patented Nov. 24. 1885.

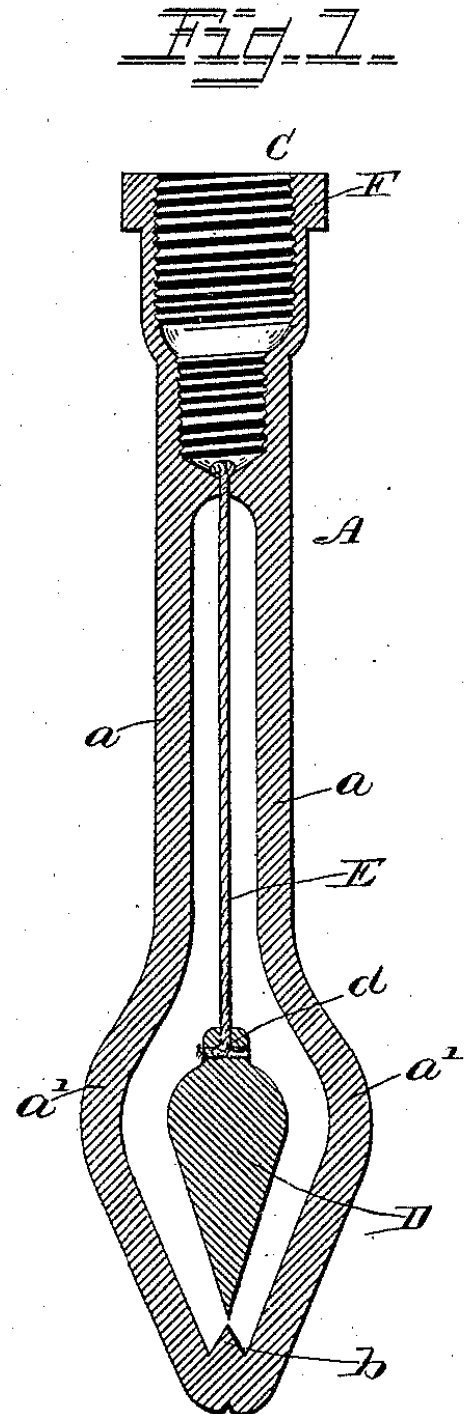
The idea came with the upcoming gas pipe installation for lamps. It was produced because there exists an article in the 1890 "SCRANTON TRUTH" and a description of 1900. Unfortunately, I never saw this item.

To all whom it may concern:

Be it known that I, JAMES J. LAWLER, a citizen of the United States of America, residing at Scranton, in the county of Lackawanna and State of Pennsylvania, have invented certain new and useful Improvements in Plumb-Bobs for Gas-Fittings, of which the following is a specification, reference being had therein to the accompanying drawing.

10 The object of my invention is to introduce to public use a suitable plumbing device to enable plumbers or gas-fitters to suspend an ordinary gas-pipe "drop" or chandelier depending from the ceiling of a room in a perfectly vertical position; and it consists in a
15 metallic frame having in connection therewith two or more different-sized tubes having female screw-threads therein adapted for reception of screw-threaded gas-pipes of corresponding size, and a plumb-bob suspended in the
20 frame centrally by a cord secured in the tube at the top of the frame, substantially as hereinafter more fully set forth and claimed.

In arranging gas-fixtures in newly-constructed and other buildings the work of
50 hanging chandeliers and other pendent burner gas-fixtures in a precisely vertical or perpendicular line has hitherto been accomplished only with the greatest difficulty, and even then but seldom, owing to the absence of means of ascertaining when the "pendant" is
55 in a precisely vertical position. In overcoming this difficulty I provide the tubular chamber C with female screw-threads of different sizes to fit correspondingly-sized screw-threads of gas-pipes. By applying by screwing
60 my invention to the screw-threaded end of a gas pipe the plumb-bob D will naturally hang by means of its cord E in a perfectly vertical position, and if the pipe to which it
65 is attached should then be otherwise than in a straight position the same will be immediately indicated and the evil remedied.



PATENT NEWS especially for PLUMB BOB COLLECTORS

PLUMBING,
Steam and Hot Water Heating!

also Ventilating and Furnace Work are specialties of

JAMES J. LAWLIER,
PLUMBING EXPERT,
ALSO STEAM AND HOT WATER HEATING ENGINEER,

Cor. Wyoming Avenue
and Linden Street, **SCRANTON, PA.**

~~~~~

All the above branches of work are done according to scientific principles by experienced and practical workmen, under the personal supervision of Mr. Lawler, who gives his whole attention to this work.

~~~~~


WE :: WILL :: GUARANTEE

to remedy and make perfect any work in the above lines, no matter by whom the work has been done, and at very low prices.

JAMES J. LAWLIER,
COR. WYOMING AVE., AND LINDEN ST., SCRANTON, PA.

1890 1890

The Scranton Truth
ALMANAC



Published by
BARRETT & JORDAN,
SCRANTON, PA.

PATENT NEWS especially for PLUMB BOB COLLECTORS

1900 LAWLER
ACETYLEN GAS

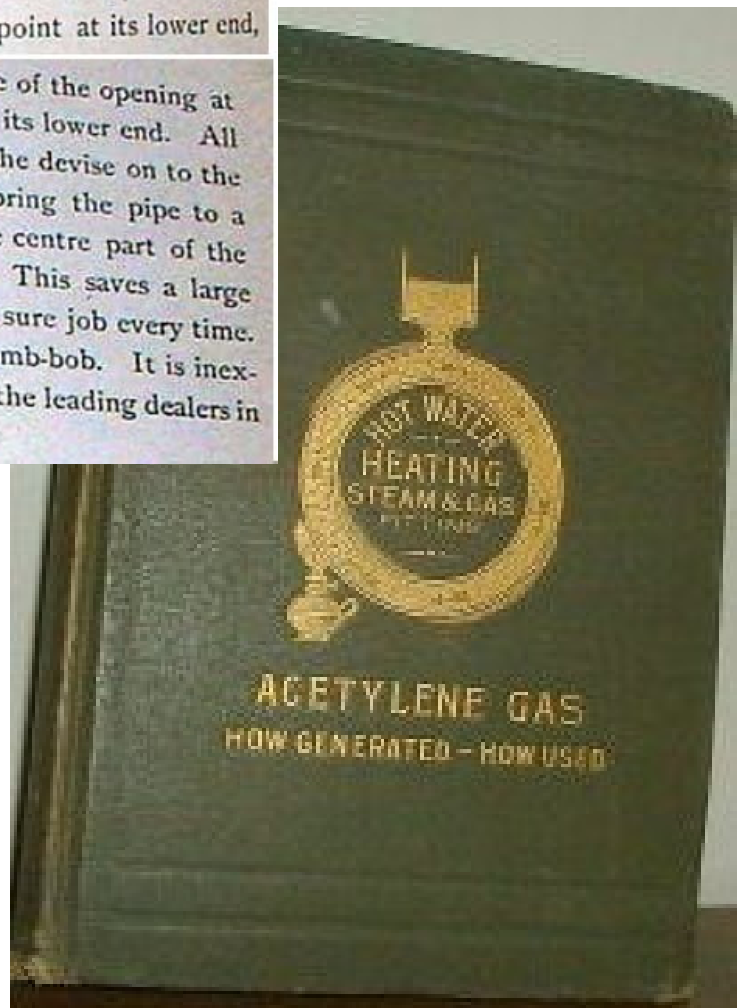


Fig. 80.

A NEW PLUMB-BOB FOR FITTERS.

A very fine little device in the way of a gas fitter's plumb-bob is shown in Fig. 80. By the use of this tool drops from ceilings can be made perfectly plumb and without guess-work, as will be noticed. The frame is cast in one piece and is cast iron, so that it cannot bend, having its upper end tapped out for $\frac{3}{8}$ -inch pipe, which tapping is centered to the point at its lower end,

with a fine cord hung from the centre of the opening at top and a small brass plumb-bob at its lower end. All that is necessary to do is to screw the device on to the drop or pipe to be plumbed and bring the pipe to a point where the plumb points to the centre part of the frame, and then fasten the pipe. This saves a large amount of time and besides makes a sure job every time. The device is known as Lawler's Plumb-bob. It is inexpensive and can be purchased from the leading dealers in gas-fitting supplies.



PATENT NEWS especially for PLUMB BOB COLLECTORS

That this kind of tool was needed shows a second patent 100 years later, but this time with bubble levels instead of a plumb bob and for horizontal, vertical and 45 degrees use!

United States Patent [19]

[11] **Patent Number:** **4,947,556**

Peil

[45] **Date of Patent:** **Aug. 14, 1990**

- [54] **PLUMBER'S LEVEL**
 [76] **Inventor:** **Todd F. Peil**, 868 Winterberry Ct., Woodbury, Minn. 55125
 [21] **Appl. No.:** **473,057**
 [22] **Filed:** **Jan. 31, 1990**
 [51] **Int. Cl.⁵** **G01C 9/28**
 [52] **U.S. Cl.** **33/370; 33/382; 33/367; 33/371; 138/104**
 [58] **Field of Search** **33/370, 371, 333, 347, 33/365, 367, 334, 375, 377, 379, 381, 382, 384, 389, 390, 353, 372, 373, 343, 351, 354; 138/104**

4,593,475	6/1986	Mayes	33/347
4,663,856	5/1987	Hall et al.	33/381
4,829,676	5/1989	Waldron	33/381
4,888,880	12/1989	Parker	33/371

OTHER PUBLICATIONS

Popular Mechanics, Magnetic Level Model A23 Dec. 1964, p. 34, vol. 122, No. 6.

Primary Examiner—William A. Cuchlinski, Jr.

Assistant Examiner—Christopher W. Fulton

Attorney, Agent, or Firm—Haugen and Nikolai

[57] **ABSTRACT**

A spirit level assembly attachable to a free end of a pipe section being installed includes a housing block of generally rectangular cross-section in which a series of viewing ports are formed through opposed side walls thereof. Fitted into each of the viewing ports is a spirit level vial or bubble. Integrally formed on the opposed ends of the housing block are cylindrical stubs of predetermined diameter corresponding to commonly encountered pipe sizes. The stubs are threaded in accordance with the National Pipe Thread convention. When the housing is screwed onto the length of pipe being leveled or plumbed, an appropriate bubble vial can be viewed to establish the desired horizontal or vertical orientation of that pipe segment.

6 Claims, 1 Drawing Sheet

[56] **References Cited**
U.S. PATENT DOCUMENTS

331,144	11/1885	Lawler .	
991,446	5/1911	Johnson .	
1,502,255	7/1924	Lemieux .	
1,605,604	11/1926	Nerbon .	
2,251,640	8/1941	Skrainka .	
2,452,930	11/1948	Ivey	33/370
2,789,363	4/1957	Miley	33/347
3,820,249	6/1974	Stone .	
3,832,782	9/1974	Johnson et al.	33/351
4,126,944	11/1978	Burkhart .	
4,164,817	8/1979	Walker	33/371
4,394,799	7/1983	Moree et al.	33/371
4,402,141	9/1983	Sterrenberg	33/370
4,589,213	5/1986	Woodward	33/343

