

PATENT NEWS especially for PLUMB BOB COLLECTORS

WR PATENT NEWS # 2007-43

US2589500 LANDON 1952 COMBINED CHALK LINE BOX AND PLUMB BOB

US1586654 CONWAY 1926 COMBINED CHALK LINE AND PLUMB BOB

also mentioned:

US873686 SHARP 1907 CHALK LINE HOLDER

CH235630 ZAUGG 1945 COMBINED CHALK LINE AND PLUMB BOB FOR PAINTERS AND PAPERING

Theme: combination chalk line box + plumb bob

A very often in the last 50 years used combination of chalk line and plumb bob are the tools of STRAIT LINE COSA MESA Calif. and BELKNAP BLUE GRASS. They base on a patent from 1952 given to LANDON assignor to Cosa Mesa.



Patented Mar. 18, 1952

2,589,500

UNITED STATES PATENT OFFICE

2,589,500

**COMBINED CHALK-LINE BOX AND
PLUMB BOB**

Robert K. Landon, Costa Mesa, and John R. Thomson, Corona del Mar, Calif., assignors to Strait-Line Products, Costa Mesa, Calif., a corporation of California

Application September 19, 1949, Serial No. 116,488

PATENT NEWS especially for PLUMB BOB COLLECTORS

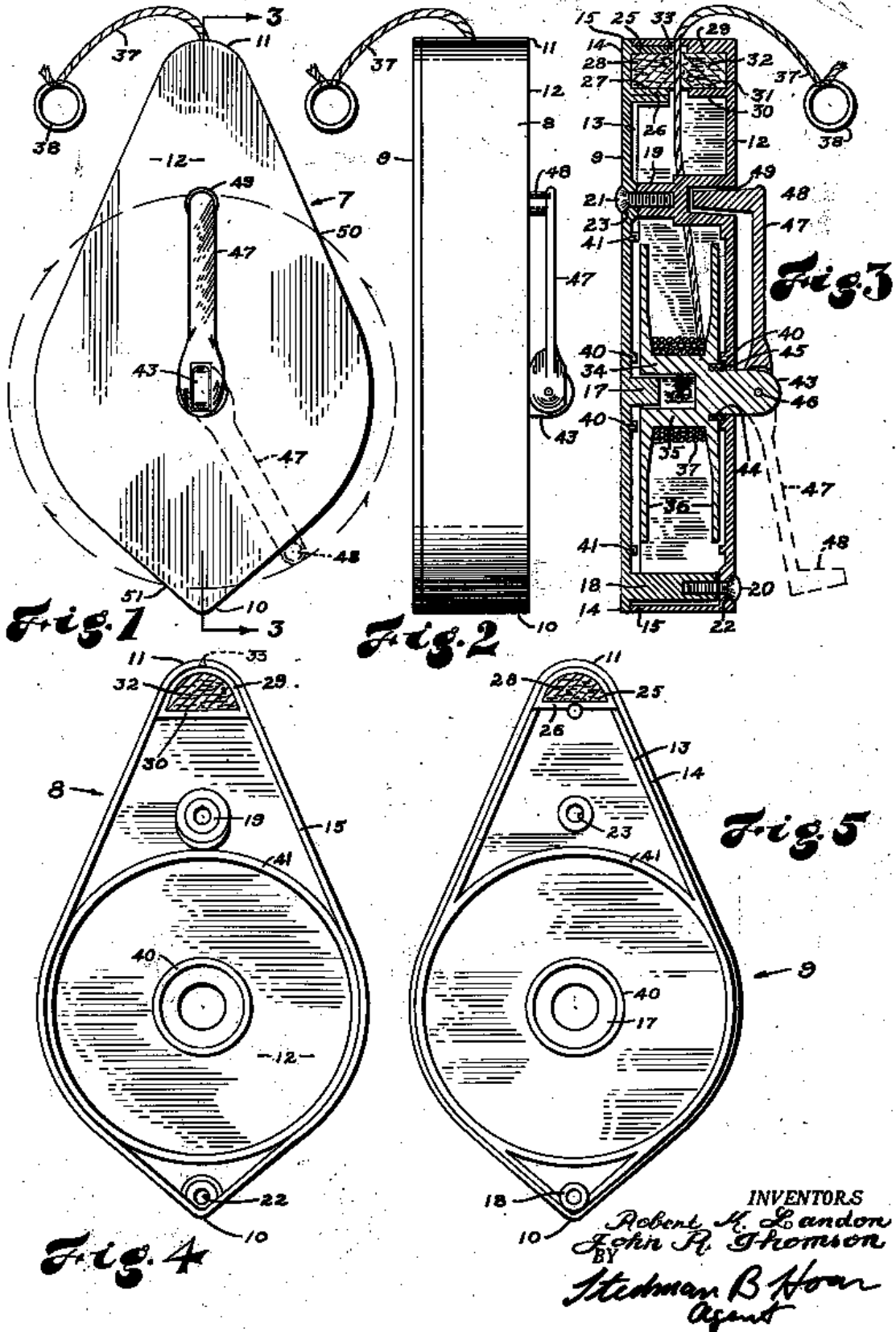
March 18, 1952

R. K. LANDON ET AL

2,589,500

COMBINED CHALK LINE BOX AND PLUMB BOB

Filed Sept. 19, 1949



PATENT NEWS especially for PLUMB BOB COLLECTORS

The INVENTION:

This invention relates to a combined chalk-line box and plumb-bob and has as an object the provision of a dual-purpose hand-tool for carpenters, masons and other artisans, of improved design and efficiency.

5

It is a further object of the invention to provide a dual-purpose tool of the character stated in which the constructional elements such as the box or case necessary for service in one purpose are so made to serve the other purpose that the tool appears to be specifically designed for the particular duty to which it may momentarily be applied.

10

The SHAPE and HANDLING:

The pyriform shape of the tool has physical advantages in addition to its attractive appearance. When the tool is used as a plumb-bob, the mass at the lower end will cause the tool to hang in true verticality from the cord emerging from the axially located orifice 33. The balance of the plumb-bob may be made very exact by placing the handle 48 in the well 49 so that the crank 47 is aligned with the vertical axis. When cord is being drawn from the spool or wound thereon, it is natural to place the wide portion of the tool in the palm of one hand with the fingers gripping the elongated end, the ring 38 or handle 48 being then manipulated with the other hand. Under these conditions the tool wedges itself into the gripping hand and is more easily and firmly grasped than a cylindrical or rectilinear tool.

PATENT NEWS especially for PLUMB BOB COLLECTORS

INTERIOR and CRANK:

It will be understood that the interior of the case 7 normally contains chalk or a like substance, which is sealed therein by the pads 28 and 32, the packing ring 45, and the heads of the screws 20 and 21 which close all the openings leading to the interior of the case. Whether the tool is to be used as a chalk-line box or as a plumb-bob, the spool 34 may be freed for rotation by swinging the crank 47 so that the handle 48 is outwardly beyond the plane of the box bottom 12. A desired length of the cord 37 may then be pulled from the orifice 33. No brake is required to prevent an excess of cord being pulled out, other than the friction of the pads 28 and 32 upon the cord. However, a positive lock upon rotation of the spool 34 is provided by engagement of the handle 48 in the well 49. Two additional locking positions are also provided by engagement of the handle 48 with the side walls of the case. For example, if unwinding the cord 37 produces a counter-clockwise motion of the crank 47, as seen in Figure 1, the rotation of the crank will be stopped at the points 50 and 51, where the orbit of the handle 48 crosses the side walls of the case, if the crank is swung pivotally to its locking inclination. Thus the length of

REFERENCES CITED

The following references are of record in the file of this patent:

UNITED STATES PATENTS

Number	Name	Date
873,686	Sharp -----	Dec. 10, 1907
932,218	Wilson -----	Aug. 24, 1909
1,124,595	Dalley -----	Jan. 12, 1915
1,876,473	Spaeth -----	Sept. 6, 1932
2,497,471	Shillman -----	Feb. 14, 1950

FOREIGN PATENTS

Number	Country	Date
235,630	Switzerland -----	1945

On the next page you find some of the drawings from these "REFERENCES CITED":

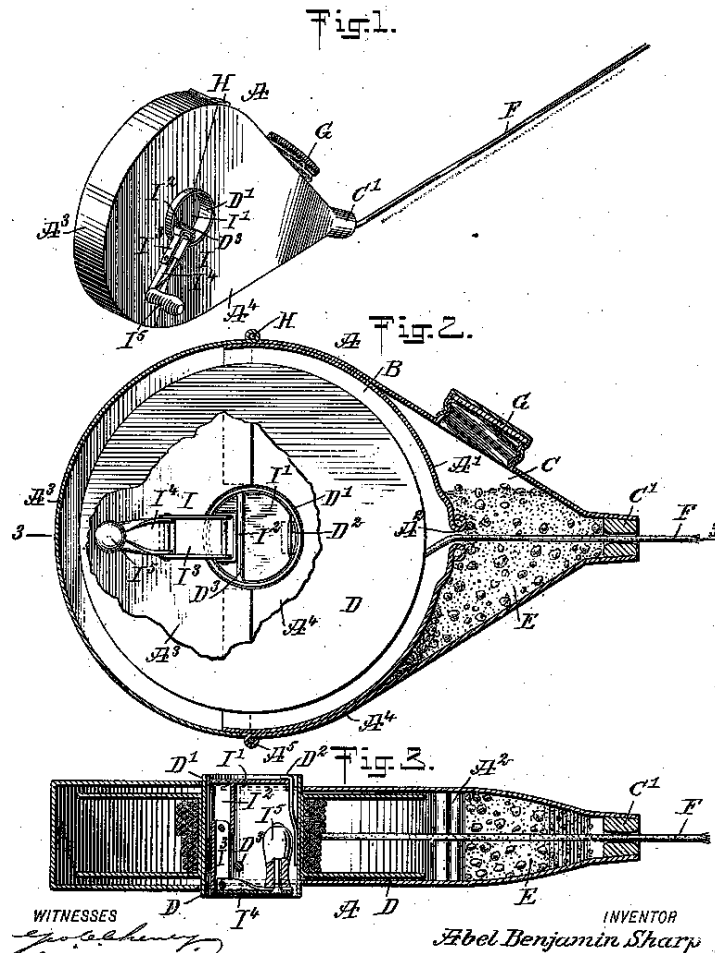
More details in the full patents send by separate email. SHILLMAN is a TAPE only.
The SPAETH you will find in the WR PATENT NEWS 2007-44.

PATENT NEWS especially for PLUMB BOB COLLECTORS

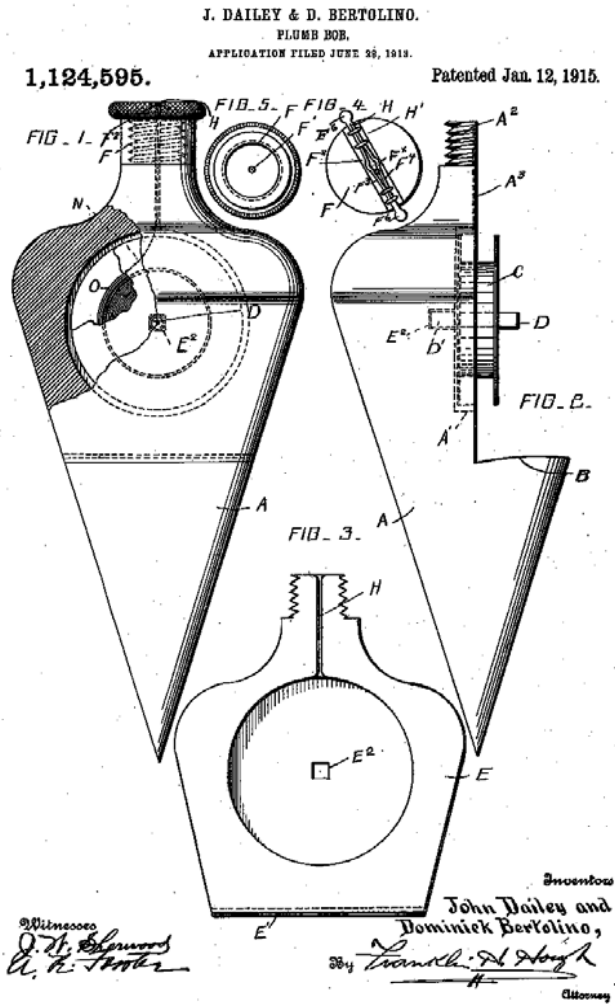
No. 873,686.

PATENTED DEC. 10, 1907.

A. B. SHARP.
CHALK LINE HOLDER.
APPLICATION FILED APR. 27, 1906.

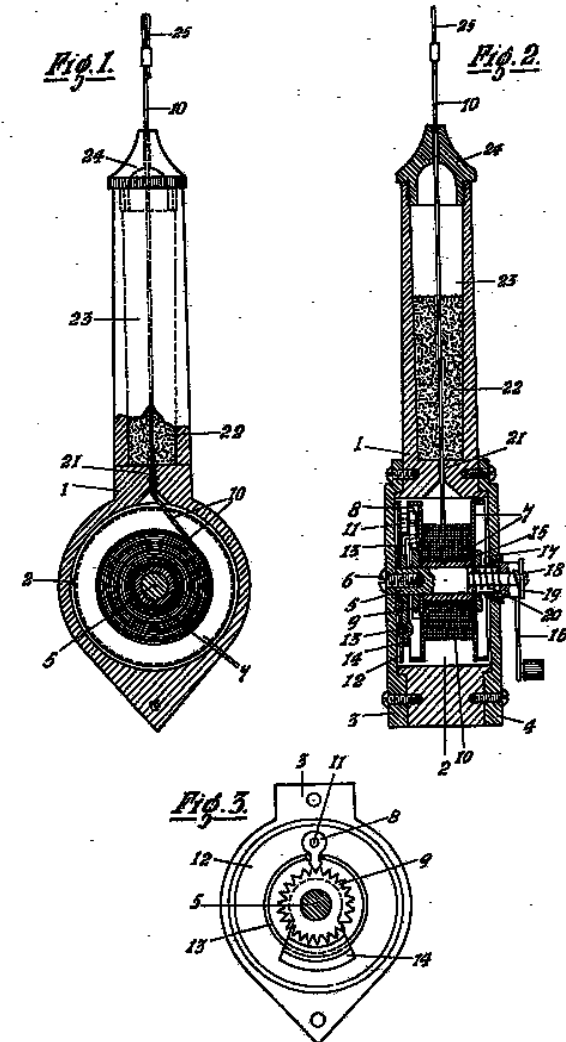


PATENT NEWS especially for PLUMB BOB COLLECTORS



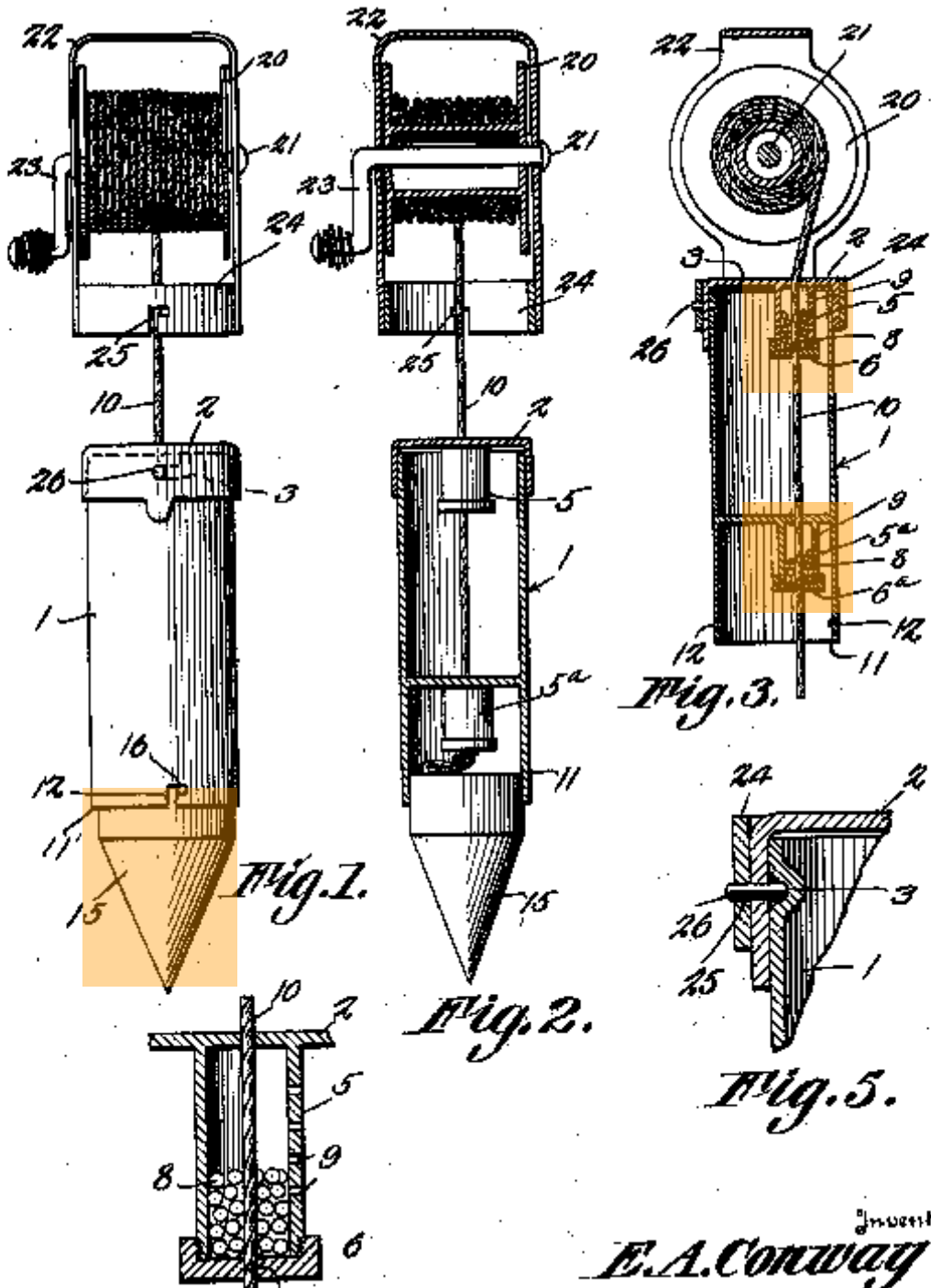
Karl Zangg

Patent Nr. 255080
1 Blatt



PATENT NEWS especially for PLUMB BOB COLLECTORS

Another patent is the COMBINED CHALK LINE AND PLUMB BOB
from E.A.CONWAY US patent 1586654 June 1, 1926

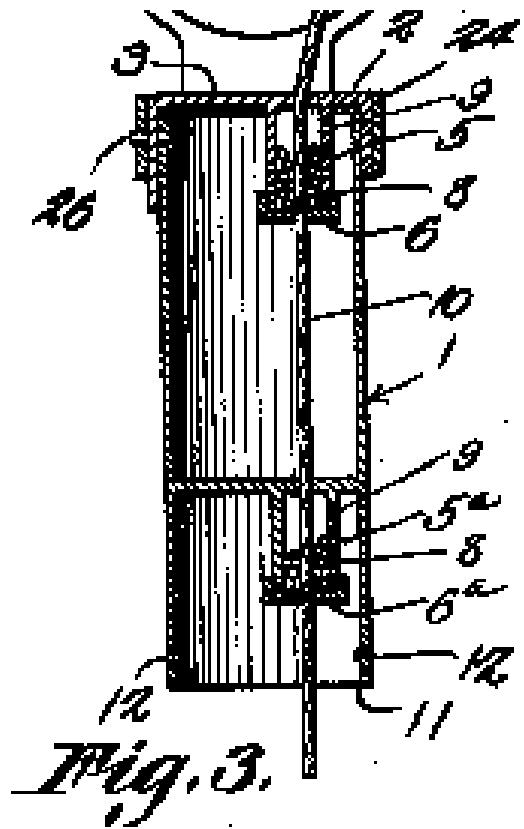
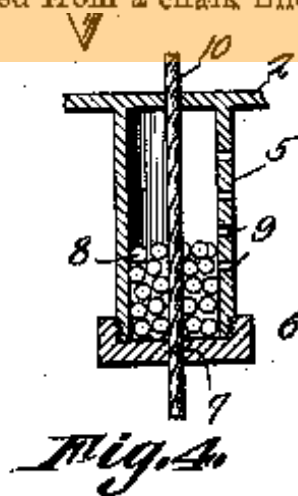


PATENT NEWS especially for PLUMB BOB COLLECTORS

The INVENTION shows that this tool has a special kind of REMOVING SURPLUS CHALK.

This invention relates to chalk lines and more particularly to means for removing surplus chalk from the line and yet leave sufficient thereon to insure the proper chalking by the line.

Another object is to so construct a device of this character that it may be quickly and easily changed from a chalk line to a plumb bob and vi



for the passage of the chalk line 10. This cover 2 has depending from its inner face a surplus chalk remover 5, shown in the form of a small cylinder having a removable closure 8 at its lower end and being preferably in the form of a cap threaded thereon and having a central opening 7 for the passage of the chalk line 10. This chalk remover 5 is filled with small balls or rollers, large size shot being suitable for this purpose such as is shown at 8 so that when the cord or line 10 is drawn through said balls the chalk will be wiped off leaving just a sufficient amount to make a proper mark. The container 1 is provided with a plurality of perforations 9 in one side wall thereof to permit the chalk which collects from the line to be sifted out therethrough and prevent clogging of the container. The con-

The remover 5 which depends from the top 2 of container 1 wipes off the surplus chalk from the line 10 before it is wound onto the reel 20 while the remover 5^a wipes off surplus chalk before the line is used for the purpose to which it is intended to wit making a line.

For using this tool as a CHALK LINE (and not as a PLUMB BOB) you have to separate the plumb bob from the body:

In the use of this device when it is desired to use it for a chalk line the plumb bob 15 is removed from the skirt 11 by disengaging the pins 16 thereof from the bayonet slots 12 and the parts will then be in the position shown in Fig. 3. The line 10

PATENT NEWS especially for PLUMB BOB COLLECTORS

Unfortunately I have no information if this tool is ever produced and I have no photos of it.

Last week I could get a German plumb bob / chalk line combination from a friend that looks similar.

It is made by of for KELLER & KNAPPICH in AUGSBURG Germany. Actually this factory produces as KUKA roboter for the production of automobiles. In the 1920s they built gas producing installations. That explains the flame in the mark. The line passes through a hole in the tip of the plumb bob.

