

PATENT NEWS especially for PLUMB BOB COLLECTORS

WR PATENT NEWS # 2007-24

PATENT GB177730 ASHTON 1922 Carpenters' Square
US1646958 FACCI 1927 Square Plumb Level

Ashton's patent (PROVISIONAL SPECIFICATION + COMPLETE SPECIFICATION has one and a half pages text only, so I will show you nearly the whole text:

PATENT SPECIFICATION



Application Date: May 12, 1921. No. 13,486 / 21.

177,730

Complete Left: Feb. 11, 1922.

Complete Accepted: Apr. 6, 1922.

PROVISIONAL SPECIFICATION.

I, GEORGE THOMAS ASHTON, a subject
of the King of Great Britain and Ireland,
50 of 105, Golden Hillock Road, Small
Heath, in the City of Birmingham, do
hereby declare the nature of this inven-
tion and in what manner the same is to
be performed, to be particularly described
55 and ascertained in and by the following
statement:—

This invention relates to the squares
used by builders, carpenters and others,
and has for its object to provide a plumb
line in convenient combination with such 60
squares.

The invention comprises the combina-
tion with one of the limbs of a square,
of a plumb line, and means for attach-
ing the line to either end of that limb. 65

Figure 3 is a side elevation showing the square and plumb line in the inverted position.

5 In carrying the invention into effect as shown, the square consists of one limb *a* formed from a relatively thick piece of wood, and another *b* from a thin steel blade, the latter being formed with a pair of apertures *c*, *d* arranged near the opposite ends of the limb. Below one aperture and above the other is formed a small hole *e* and *f* for the insertion in either of a peg *g* from which can be suspended a plumb line *h* having a metal bob *i* at its lower end. Alternatively a hook or peg (instead of a hole) may be permanently attached to the said limb of the square for the connection of the plumb line.

25 By means of an index line or a notch *j* at the lower end of the aperture *d*, and the sharp point at the under side of the bob, a horizontal surface level can readily be determined.

When it is desired to determine the level of a soffit or the underside of a horizontal 30 surface, the plumb line is attached by inserting the peg *g* in the hole *f* adjacent to the horizontal wood limb, and the bob then lies in the other aperture *c* in the steel limb, as shown in Figure 3. The 35

Having now particularly described and
ascertained the nature of my said inven- 40
tion and in what manner the same is to
be performed, I declare that I am aware
of Specification No. 21,976 of 1894 and
I make no claim to anything described
therein but what I claim is:— 45

Could not find
this patent

1. In builders' or carpenters' squares,
the combination with one of the limbs
of a square, of a plumb line, and means
for attaching the line to either end of
that limb, substantially as described. 50

2. A combined builders' or carpenters'
square and plumb line, comprising the
combination and arrangement of parts,
substantially as described and illustrated.

Dated this 7th day of February, 1922. 55

MARKS & CLERK.

This kind of levelling is not new, but the use of this level "from underside of a horizontal surface" is new. We know already much older levels (also folding) from France (see LASNIER 18 th century)

To fix the line ASHTON needs a peg or a hook. If these parts are not fixed to the level he will loose them very fast.....

In my collection I have British levels with a very simple system that needs nothing than a line, no other parts.

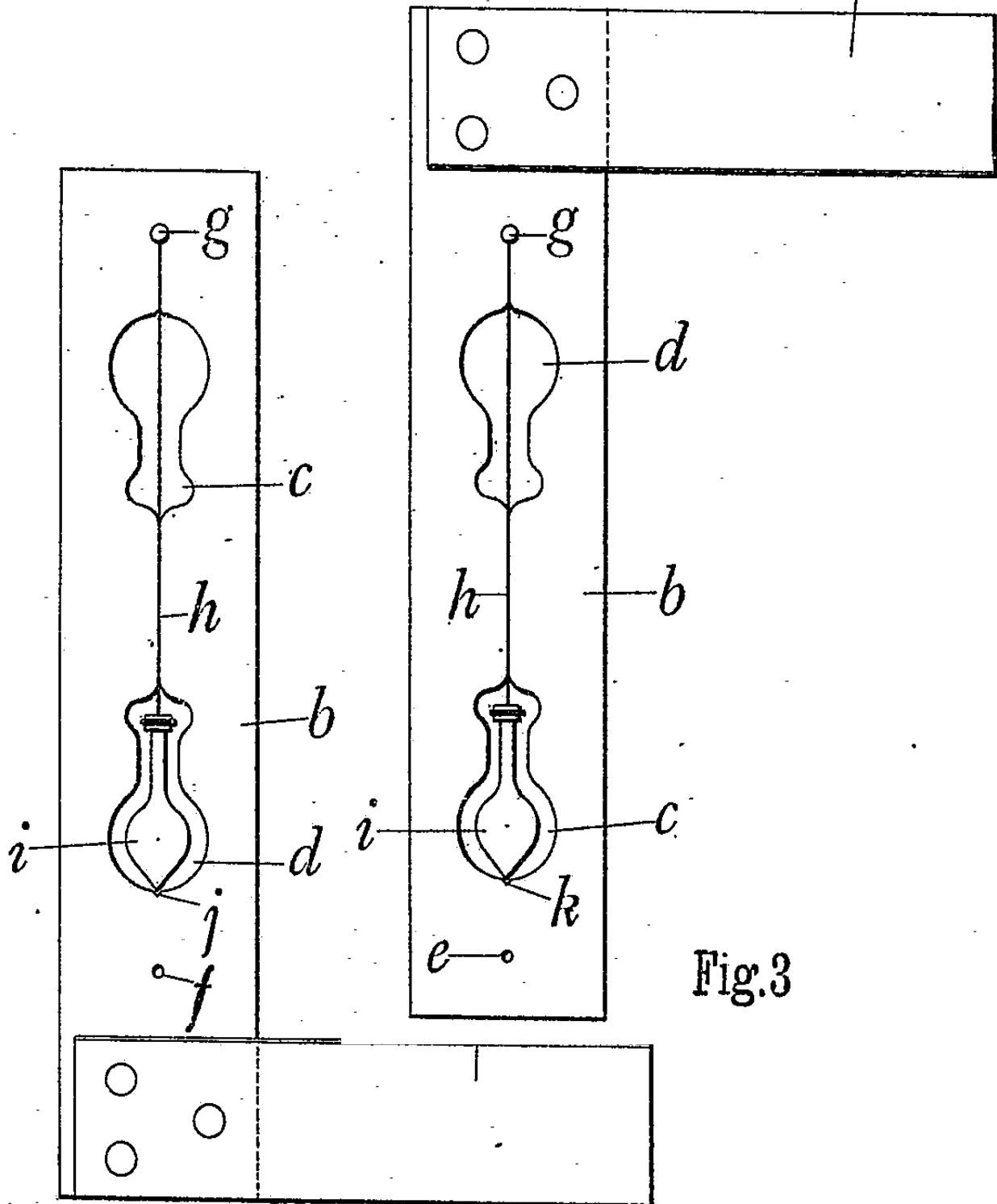


Fig.1

Fig.3

PATENT NEWS especially for PLUMB BOB COLLECTORS

Here is a FRENCH FOLDING LEVEL from LASNIER 18th century:



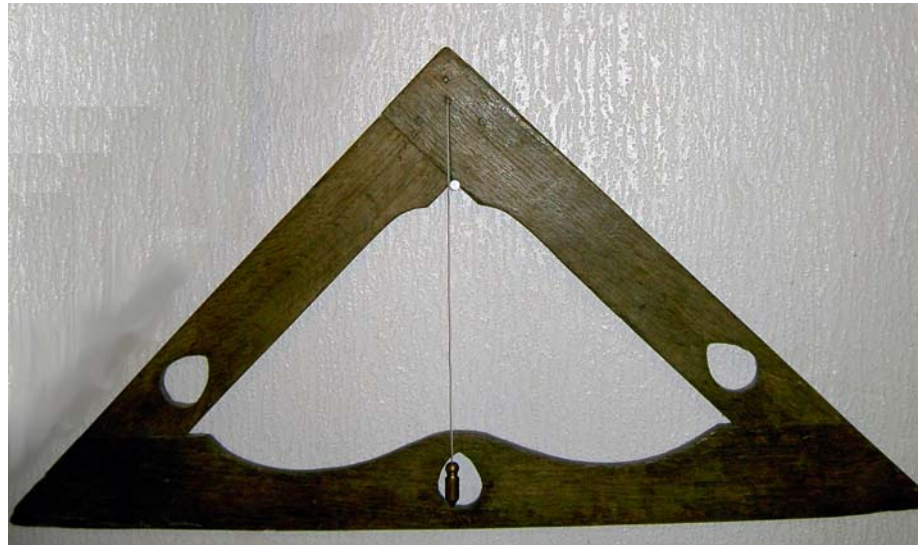
And an English one:



PATENT NEWS especially for PLUMB BOB COLLECTORS

The older wooden A-LEVEL has already 3 holes to use the tools in multiple ways.

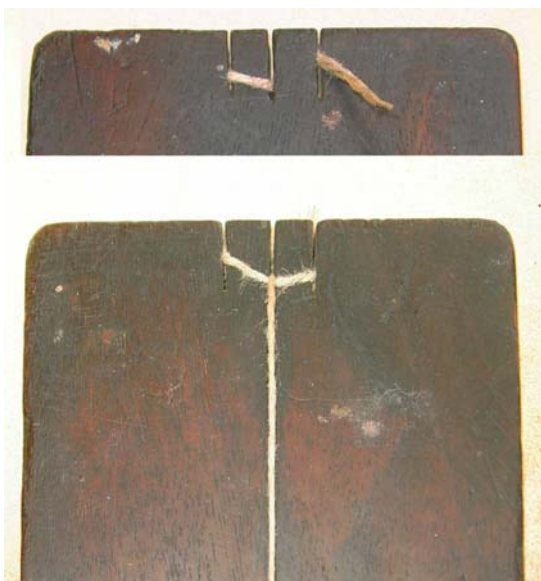
HORIZONTAL at the upper side and from the underside and with an ANGEL of 45 degrees



Here is the upper part of English plumb boards. You can see how they did fix the line.



The picture of using a plumb board is from 1515



PATENT NEWS especially for PLUMB BOB COLLECTORS

The US patent from FACCI 1927 is quite the same, but with bubble levels.

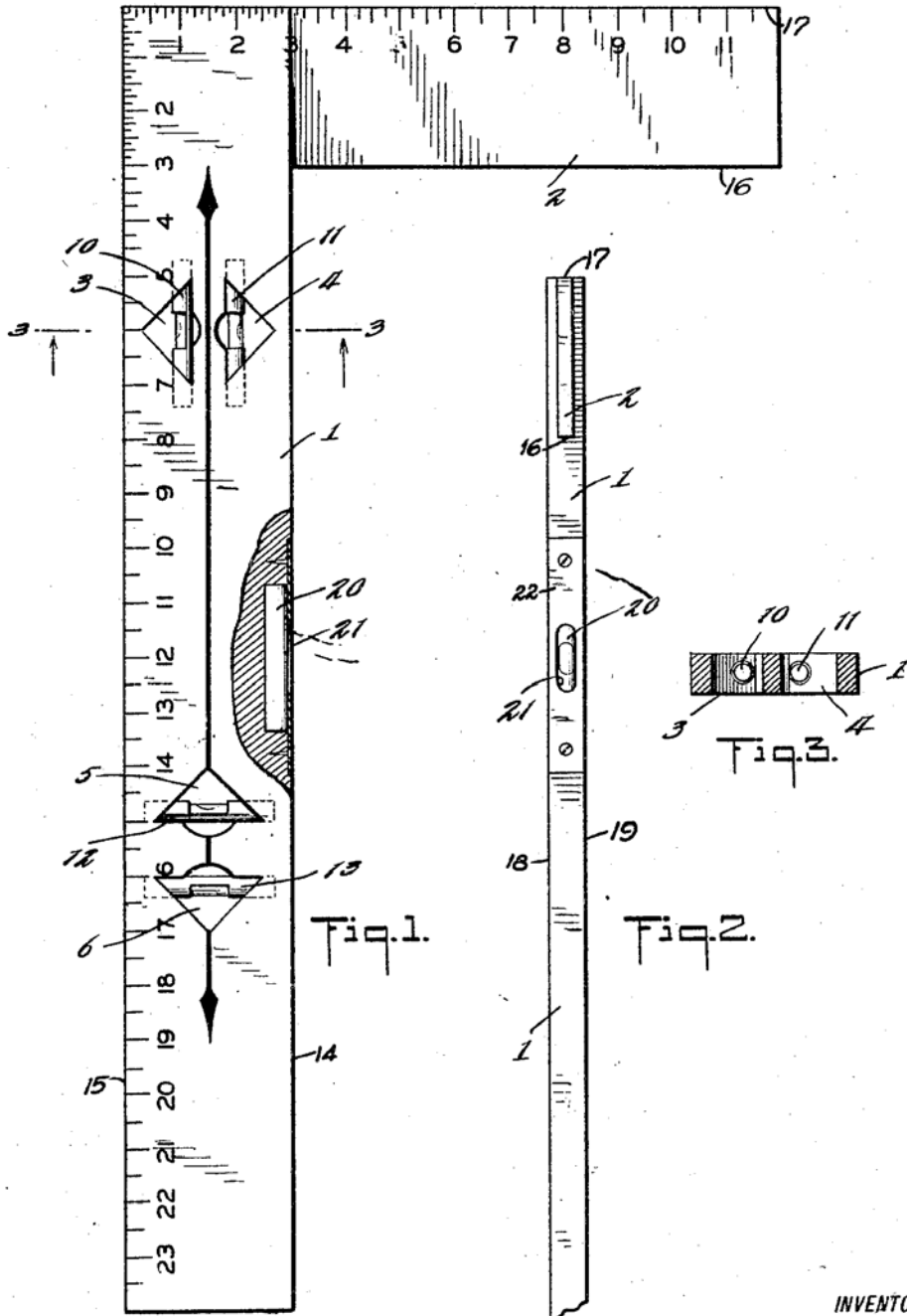
Oct. 25, 1927.

1,646,958

A. FACCI

SQUARE, PLUMB, LEVEL, AND MEASURE

Filed April 7, 1926



INVENTOR
Anthony Facci.
BY
H. P. Johns.
ATTORNEY