

PATENT NEWS FOR PLUMB BOB COLLECTORS

WR Plumb bob collectors PATENT NEWS # 2007-02

Some remarks for the GOOGLE patent searching I mentioned in the last patent news:
http://www.google.com/advanced_patent_search or <http://www.google.com/patents>

If you want to search for plumb bobs, you can use the name “**plumb bob**”: gives 669 results
or you can search for the PATENT CLASSIFICATION.

The **CURRENT US CLASSIFICATION** is **33/393** (gives only 17 results) and the
INTERNATIONAL PATENT CLASSIFICATION IPC is **G01C15/10** gives 119 results

Nothing of these show the **TOTAL** of patents, because some of the plumb bob patents are not
classified as plumb bobs. Many of them show items that we don't collect as plumb bobs.

Today I will present a French **patent FR2823301 from Oct. 11, 2002 for a combination tool.**

Plumb bob and chalk line marker.

May hang on a nail at the wall and can mark with a inserted pencil a distance.

Never seen this item in reality. Typical French is the shape of the plumb bob.

You will find a short description in English attached. “Abstract”. This service is made by the
European Patent office for nearly all of the new patents, although the patent is written in the
language of the country.

For comparison a vintage Chinese chalk line from my collection. Also a combination tool.



If anyone is not interested to get this information, please let me know and I will delete your name from MY MAILING list.

PATENT NEWS FOR PLUMB BOB COLLECTORS

①⑨ RÉPUBLIQUE FRANÇAISE
INSTITUT NATIONAL
DE LA PROPRIÉTÉ INDUSTRIELLE
PARIS

①⑪ N° de publication : **2 823 301**
(à n'utiliser que pour les
commandes de reproduction)

②① N° d'enregistrement national : **01 04766**

⑤① Int Cl⁷ : G 01 C 15/10

①⑫ **DEMANDE DE BREVET D'INVENTION** **A1**

②② Date de dépôt : 09.04.01.
③⑩ Priorité :

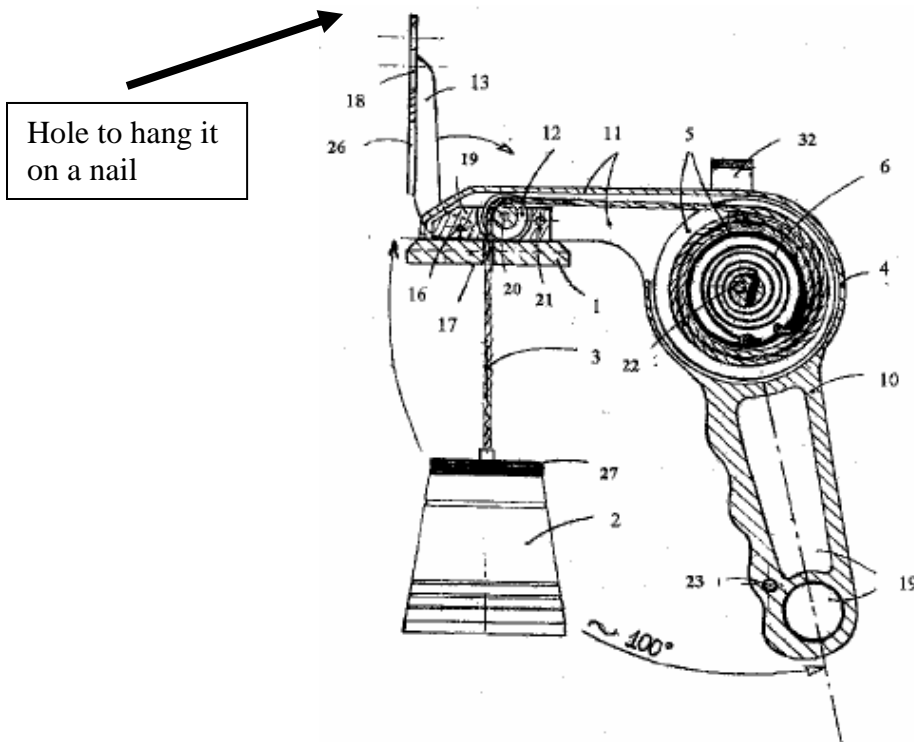
④③ Date de mise à la disposition du public de la
demande : 11.10.02 Bulletin 02/41.

⑦① Demandeur(s) : MESSIN FABRICE LUCIEN RAOUL
— FR.

⑦② Inventeur(s) : MESSIN FABRICE LUCIEN RAOUL.

Abstract of **FR2823301**

The equipment has an ergonomic handle (10) made in one piece from aluminium or plastic with an angle box (4), a support (11) and a plate (1) with a foldable hook (13). A plumb bob weight (2) is carried on a cable (3) which passes through the plate and retracts into the angle box by the action of a spring (6). A clip (32) carries a pencil directed through an orifice (26) during curve tracing.



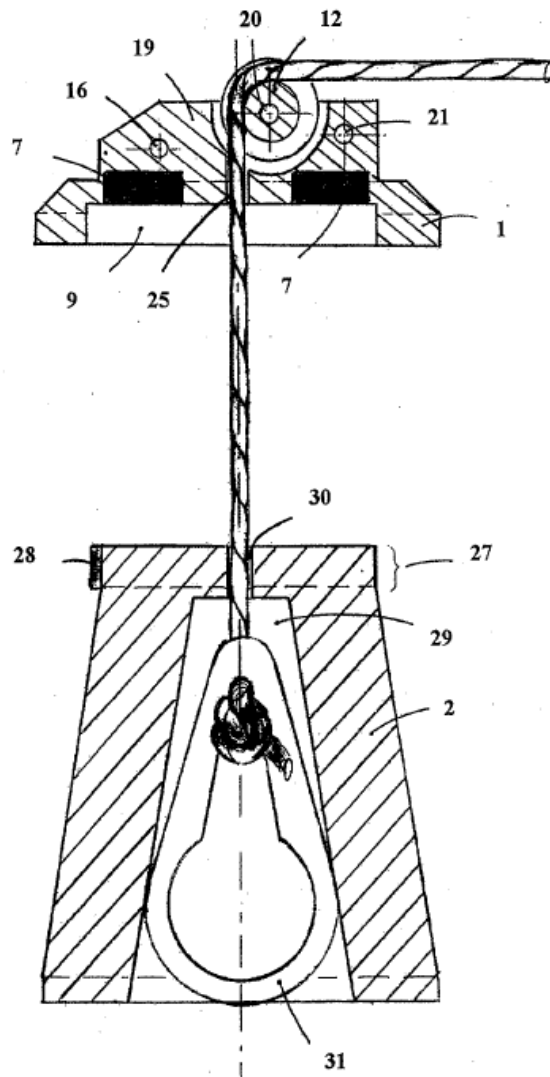
If anyone is not interested to get this information, please let me know and I will delete your name from MY MAILING list.

PATENT NEWS FOR PLUMB BOB COLLECTORS

2823301

PL 2-4

FIG.2



If anyone is not interested to get this information, please let me know and I will delete your name from MY MAILING list.

PATENT NEWS FOR PLUMB BOB COLLECTORS

